



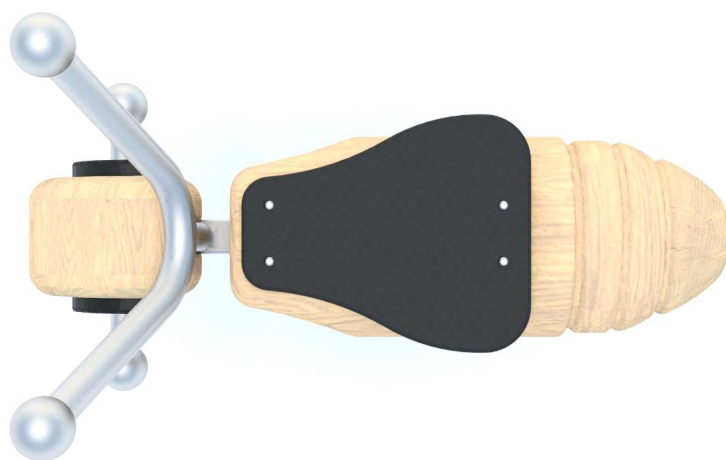
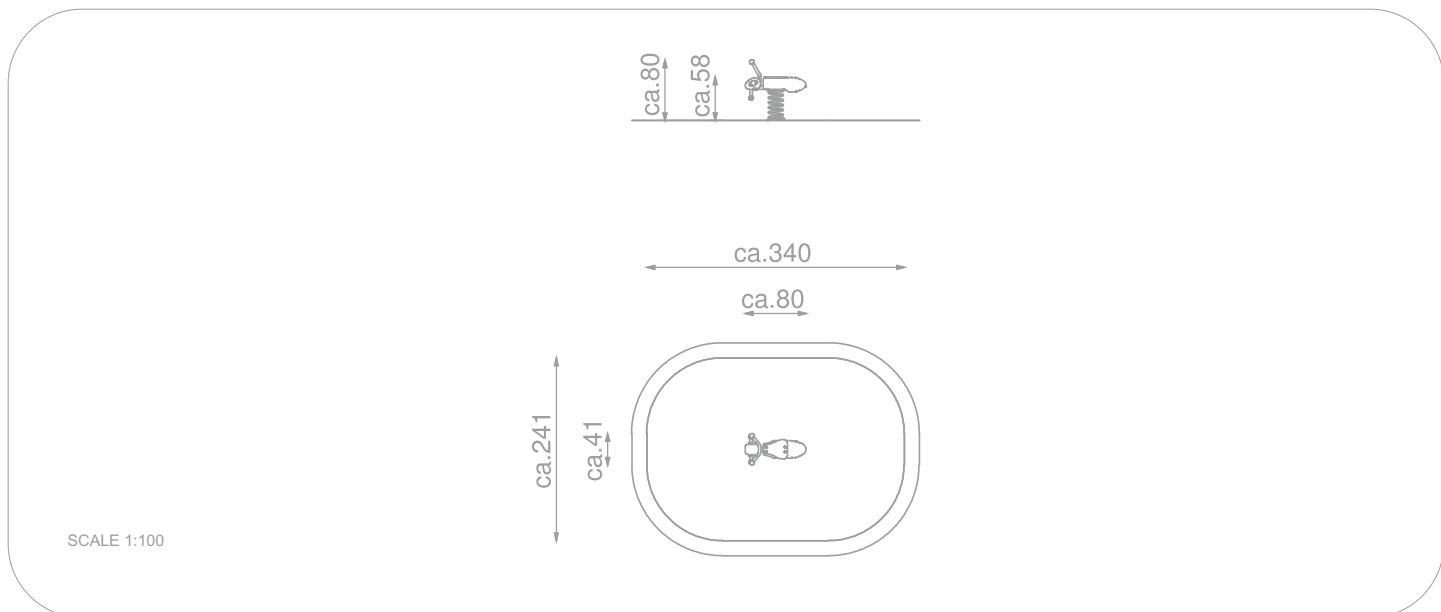
### INFORMATION ABOUT THE PRODUCT

Dimensions	ca.80 x 41 cm
Safety zone	ca.340 x 241 cm
Safety zone area	ca.7 m <sup>2</sup>
Overall height	ca.80 cm
Free fall height	ca.58 cm
Amount of users	1 person
Product complies with EN 1176-1:2017-12	YES
Availability of spare parts	YES
Age range	1-12

Visualisation is for reference only,  
actual appearance may vary.

According to EN 1176-1:2017-12 norm, the product requires applying a safety surface according to the product's free fall height.





### MATERIALS:

NATURAL ROBINIA WOOD	ANTI-SLIP HEXA 18 MM PLATFORM PLATE	ELEMENTS CONSTRUCTION MADE OF STAINLESS STEEL AISI 304	SPRINGS' SPRINGS MADE OF SPRING STEEL
			