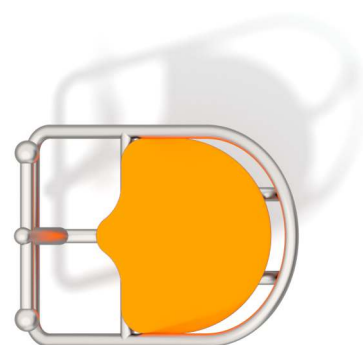


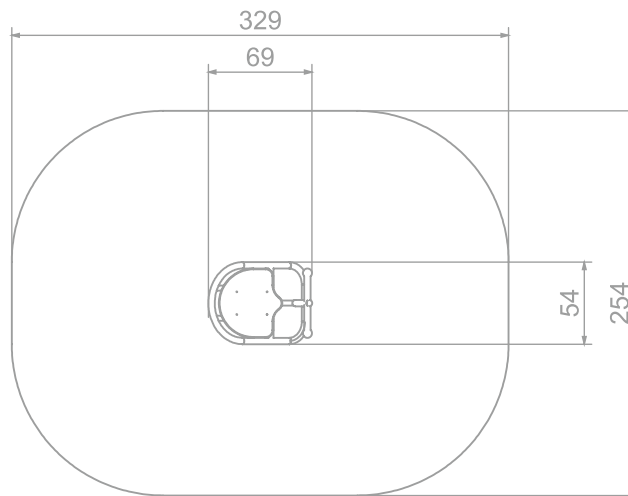
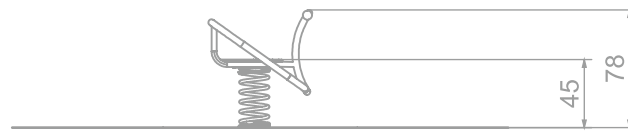


INFORMATION ABOUT THE PRODUCT

Dimensions	54 x 69 cm
Safety zone	254 x 329 cm
Safety zone area	7,49 m ²
Overall height	78 cm
Free fall height	45 cm
Amount of users	1
Product complies with EN 1176-1:2017-12	YES
Availability of spare parts	YES
Age range	1-12

According to EN 1176-1:2017-12 norm, the product requires applying a safety surface according to the product's free fall height.





SCALE 1:50



MATERIALS:

ELEMENTS
CONSTRUCTION MADE OF
STAINLESS STEEL AISI 304



PLATES OF THE WALLS
MADE OF COLOURFUL
TRIPLE LAYERED 15 MM
HDPE POLYETHYLENE



SPRINGERS' SPRINGS MADE
OF SPRING STEEL

