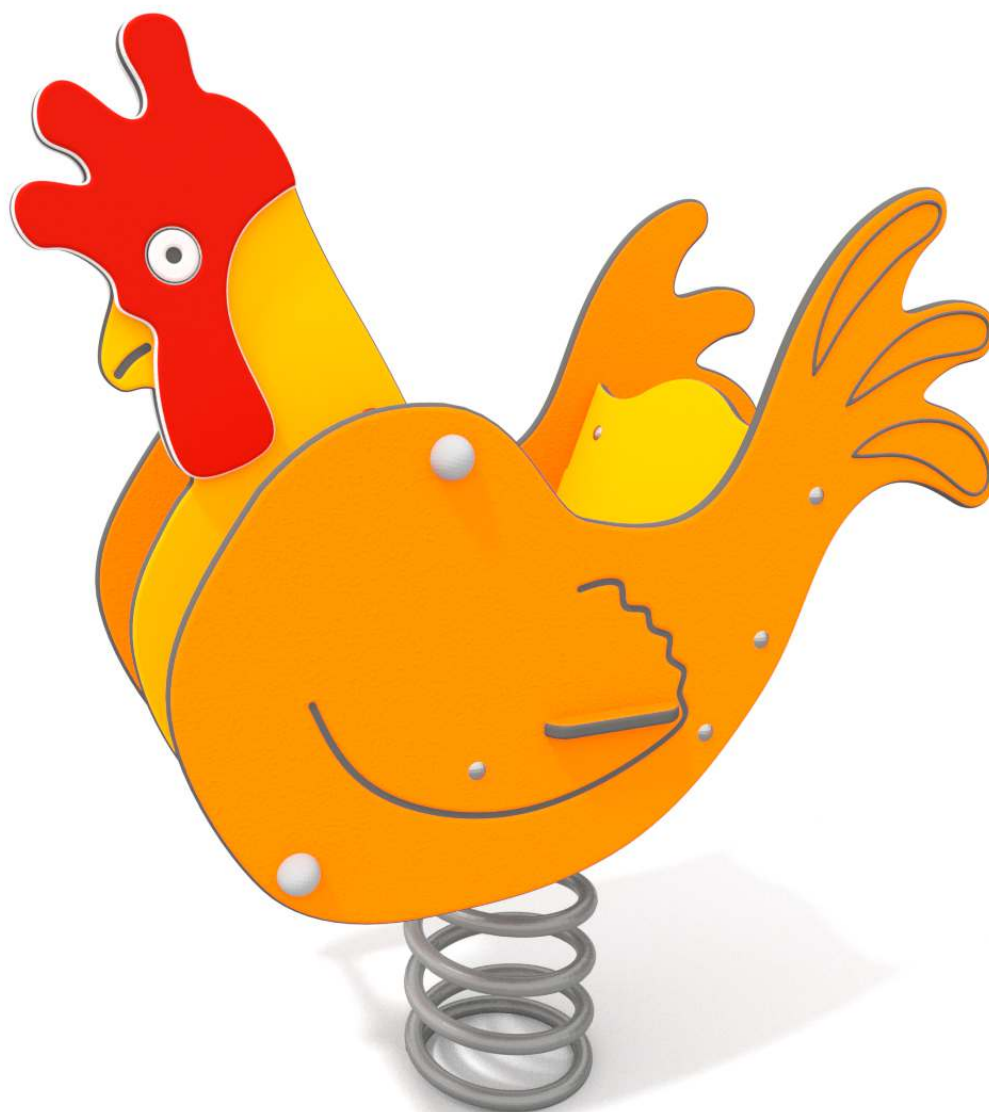


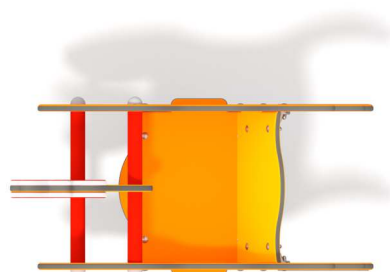
### 5022

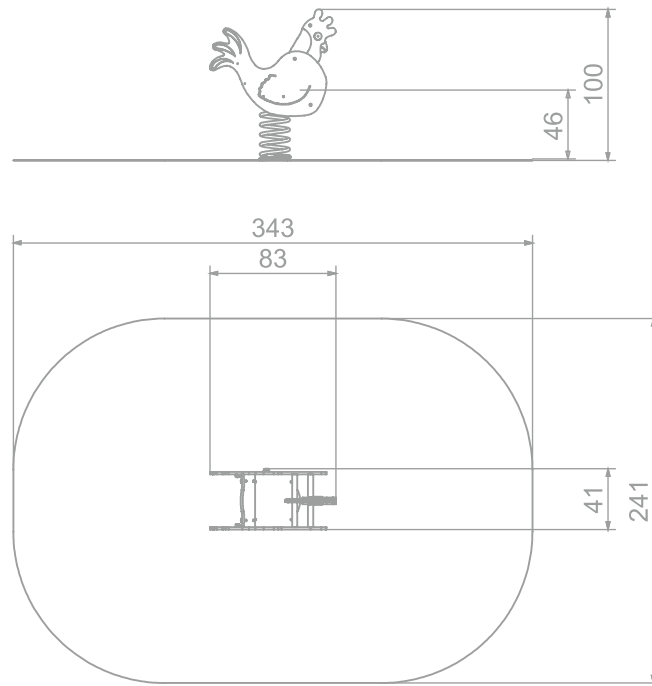


#### INFORMATION ABOUT THE PRODUCT

Dimensions	41 x 83 cm
Safety zone	241 x 343 cm
Safety zone area	7,41 m <sup>2</sup>
Overall height	100 cm
Free fall height	46 cm
Amount of users	1
Product complies with EN 1176-1:2017-12	YES
Availability of spare parts	YES
Age range	1-12

According to EN 1176-1:2017-12 norm, the product requires applying a safety surface according to the product's free fall height.





SCALE 1:50

#### MATERIALS:

<p>ELEMENTS CONSTRUCTION MADE OF STAINLESS STEEL ASISI 304</p>	<p>PLATES OF THE WALLS MADE OF COLOURFUL TRIPLE LAYERED 15 MM HDPE POLYETHYLENE</p>	<p>SPRINGERS' SPRINGS MADE OF SPRING STEEL</p>
		
<p>PLATE AND ROPE CONNECTORS MADE OF INJECTION MOLDED POLYAMIDE</p>	<p>CONNECTING ELEMENTS LIKE SCREWS, NUTS, WASHERS MADE OF STAINLESS STEEL</p>	
		

