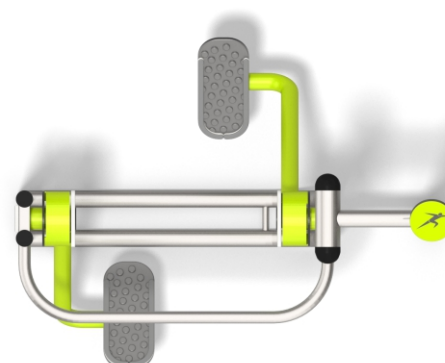
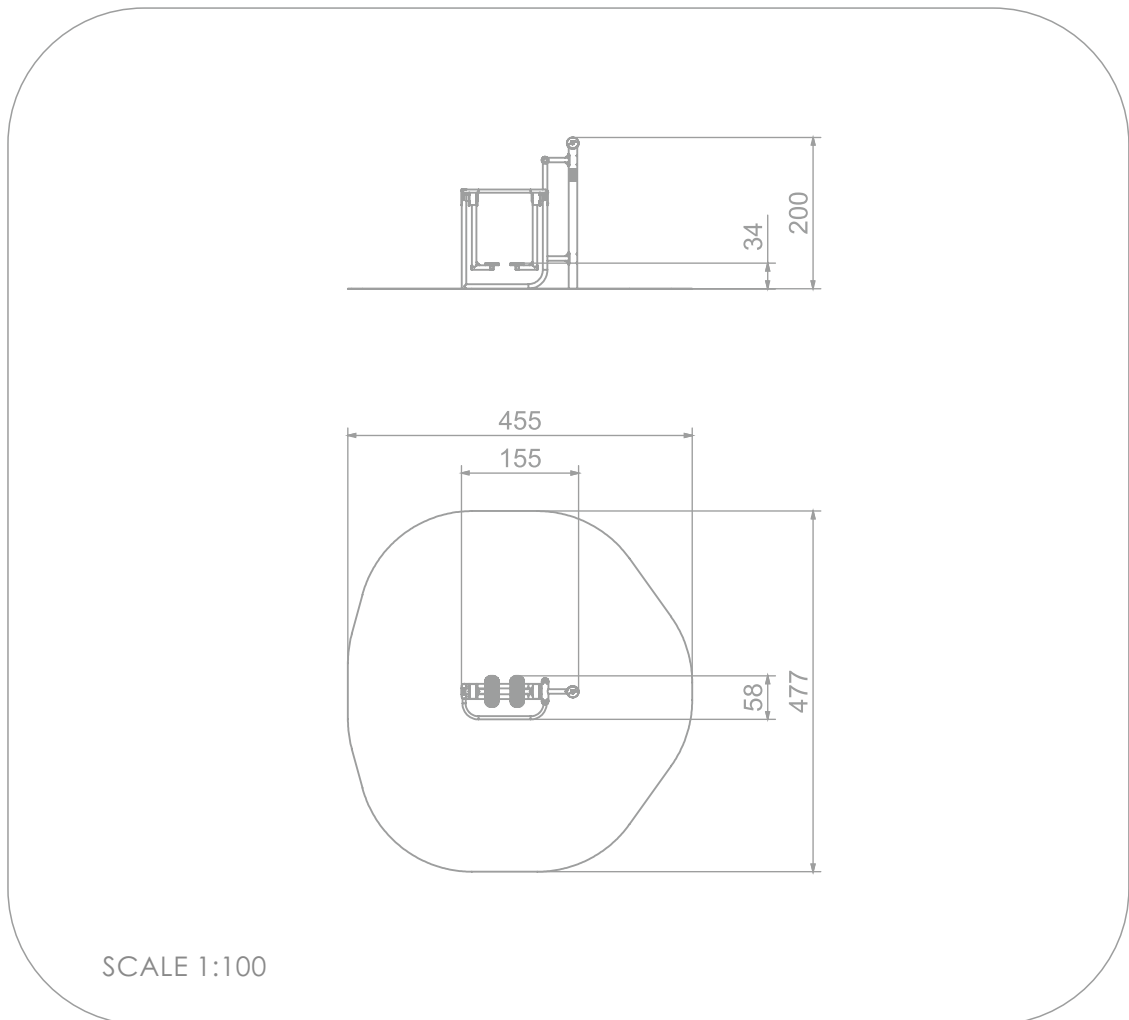







INFORMATION ABOUT THE PRODUCT

Dimensions	155 x 58 cm
Safety zone	455 x 477 cm
Safety zone area	18 m ²
Overall height	200 cm
Free fall height	34 cm
Product complies with EN 1176-1:2017-12	YES
Availability of spare parts	YES





MATERIALS:

<p>SOLID CONSTRUCTION MADE OF STAINLESS STEEL ASISI 304 TOTALLY</p>	<p>ANTI-SLIP PLATE IMADE OF 13 MM HPL</p>	<p>PLATES MADE OF COLOURFUL TRIPLE LAYERED POLYETHYLENE HDPE 15 MM</p>
		
<p>PLATE MADE OF ANODIZED ALUMINIUM PLACED OF A HANDLE MADE OF POLYAMIDE</p>	<p>POST ENDINGS FINISHED WITH SOFT EPDM RUBBER</p>	<p>SELF-ALIGNING ROLLER BEARINGS</p>
