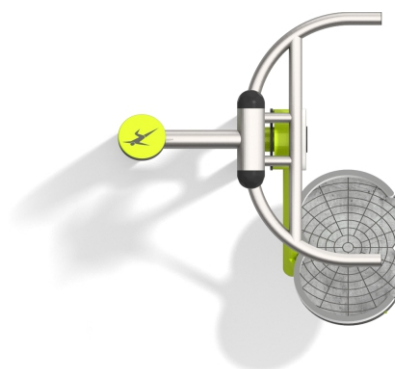
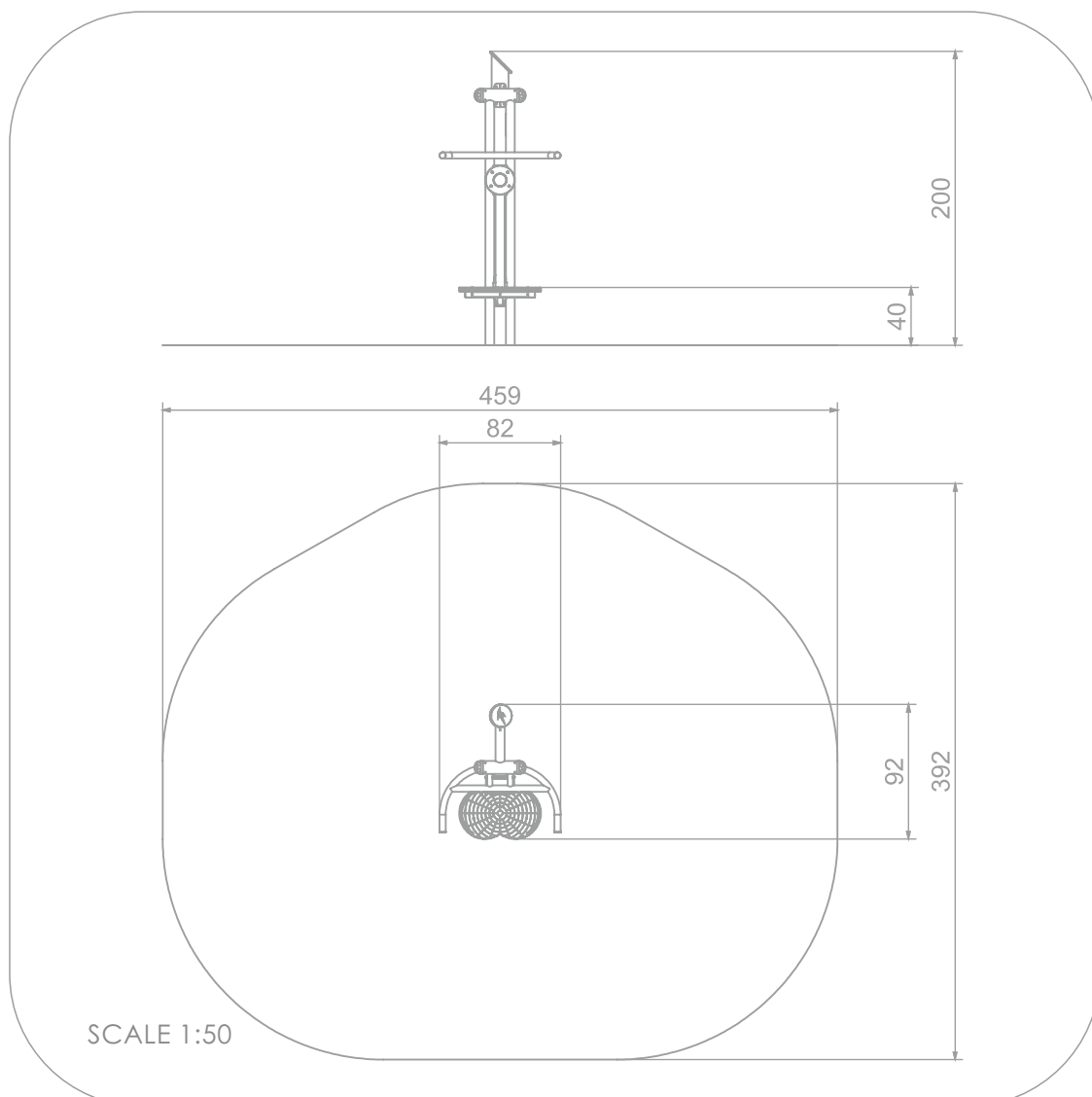




INFORMATION ABOUT THE PRODUCT

Dimensions	92 x 82 cm
Safety zone	392 x 459 cm
Safety zone area	15 m ²
Overall height	200 cm
Free fall height	40 cm
Product complies with EN 1176-1:2017-12	YES
Availability of spare parts	YES





MATERIALS:

SOLID CONSTRUCTION
MADE OF STAINLESS STEEL
ASISI 304 TOTALLY



PLATE MADE OF ANODIZED
ALUMINIUM PLACED OF A
HANDLE MADE OF
POLYAMIDE



ANTI-SLIP PLATE IMADE OF
13 MM HPL



POST ENDINGS FINISHED
WITH SOFT EPDM RUBBER



PLATES MADE OF
COLOURFUL TRIPLE LAYERED
POLYETHYLENE HDPE 15 MM



SELF-ALIGNING ROLLER
BEARINGS

