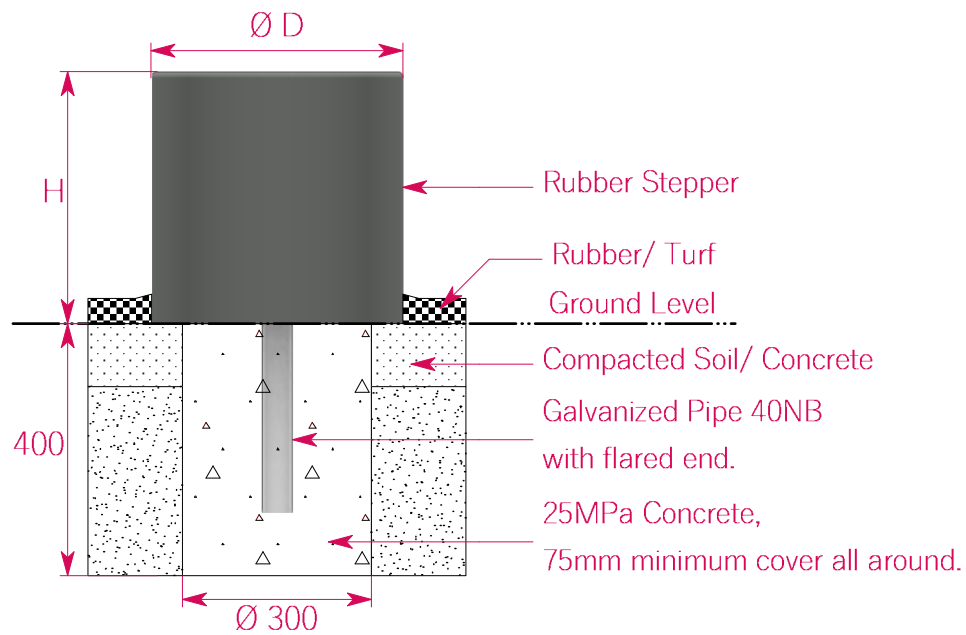


Plan (When used in cluster)
Scale: 1:12



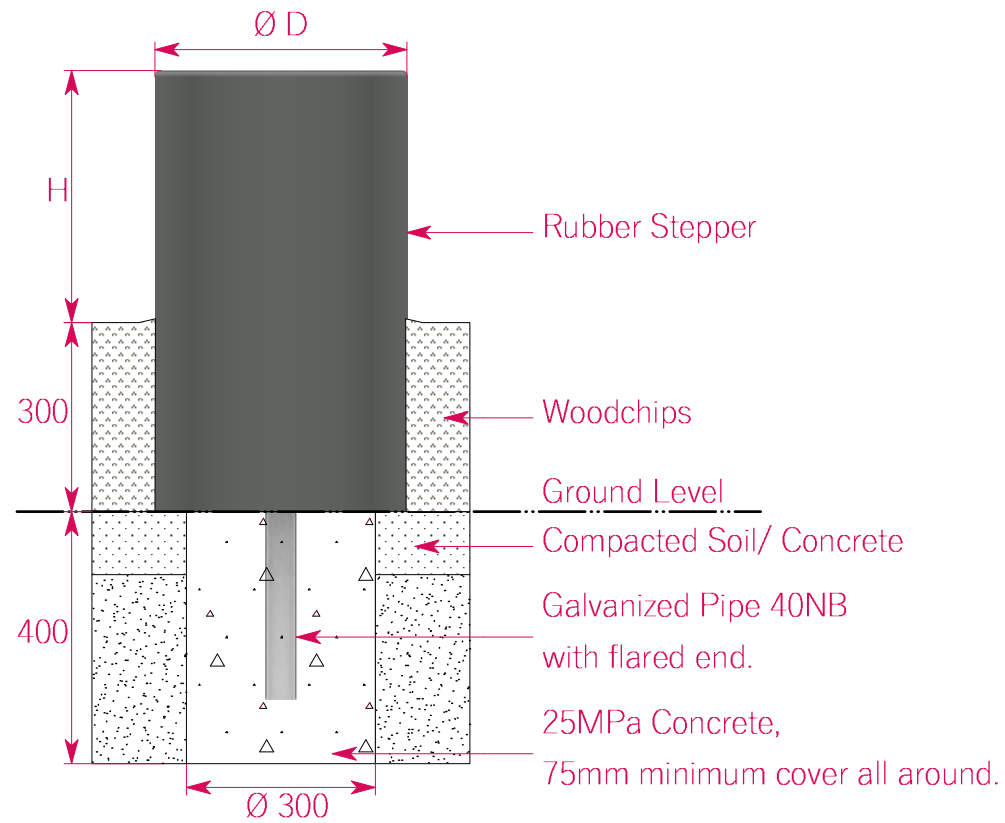
3D
Scale: 1:12

Rubber Stepper
with in built pipe.



Elevation
Scale: 1:12

MR08_



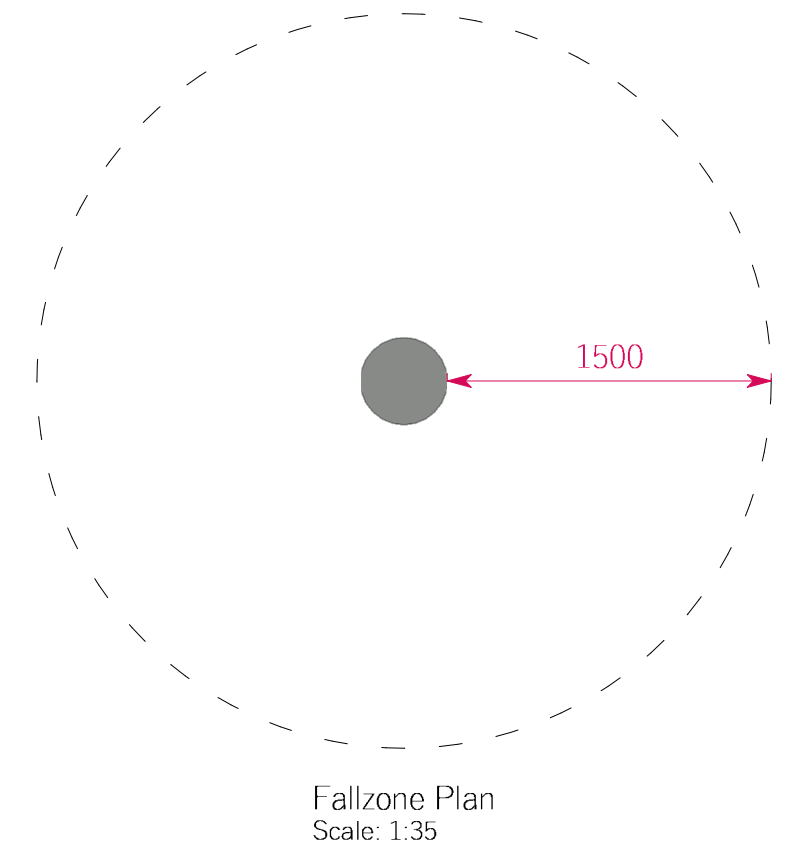
Elevation
Scale: 1:12

MR08_W

#	Part #	Diameter 'D'	Height 'H'	Footing
FOR RUBBER & TURF SURFACES				
1	MR08	Ø300	300	Ø300 x 400
2	MR08A	Ø300	400	Ø300 x 400
3	MR08B	Ø300	500	Ø300 x 400
4	MR08C	Ø400	300	Ø300 x 400
5	MR08D	Ø400	400	Ø300 x 400
6	MR08E	Ø400	500	Ø300 x 400
7	MR08F	Ø500	300	Ø300 x 400
8	MR08G	Ø500	400	Ø300 x 400
9	MR08H	Ø500	500	Ø300 x 400
FOR WOODCHIP SURFACES				
10	MR08W	Ø300	300	Ø300 x 400
11	MR08AW	Ø300	400	Ø300 x 400
12	MR08BW	Ø300	500	Ø300 x 400
13	MR08CW	Ø400	300	Ø300 x 400
14	MR08DW	Ø400	400	Ø300 x 400
15	MR08EW	Ø400	500	Ø300 x 400
16	MR08FW	Ø500	300	Ø300 x 400
17	MR08GW	Ø500	400	Ø300 x 400
18	MR08HW	Ø500	500	Ø300 x 400

NOTE:

1. All rubber steppers to be installed on flat surfaces.
2. Underside of the steppers MUST be always supported by the flat surface.



Fallzone Plan
Scale: 1:35

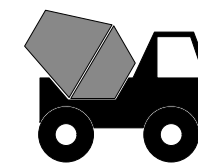


PROJECT PRODUCT : **GENERIC**
: **POUR 'N' PLAY STEPPER MR08, MR08A, MR08B, MR08C, MR08D, MR08E, MR08F, MR08G, MR08F, MR08G, MR08H & MR08W, MR08AW, MR08BW, MR08CW, MR08DW, MR08EW, MR08FW, MR08GW, MR08FW, MR08GW, MR08HW.**

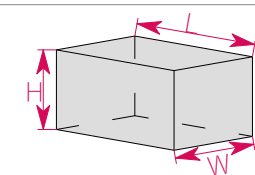
DRAWN BY : KP HOLAY
CHECKED BY : -
REVISION : 1
DATE : 22.04.24
MADE BY : -
QA BY : -

SPECIFICATIONS
DESIGN STANDARD : NZS 5828:2015
DESIGN LIFE : 25
IMPORTANCE LEVEL : 2
WIND ZONE (NZS 1170.2) : W (<55m/s)
LENGTH UNIT : mm

CONCRETE
PER STEPPER=0.03m³



FREIGHT
L = -
W = -
H = -
kg = -



DEPARTMENT
INSTALL
SHEET NUMBER
11