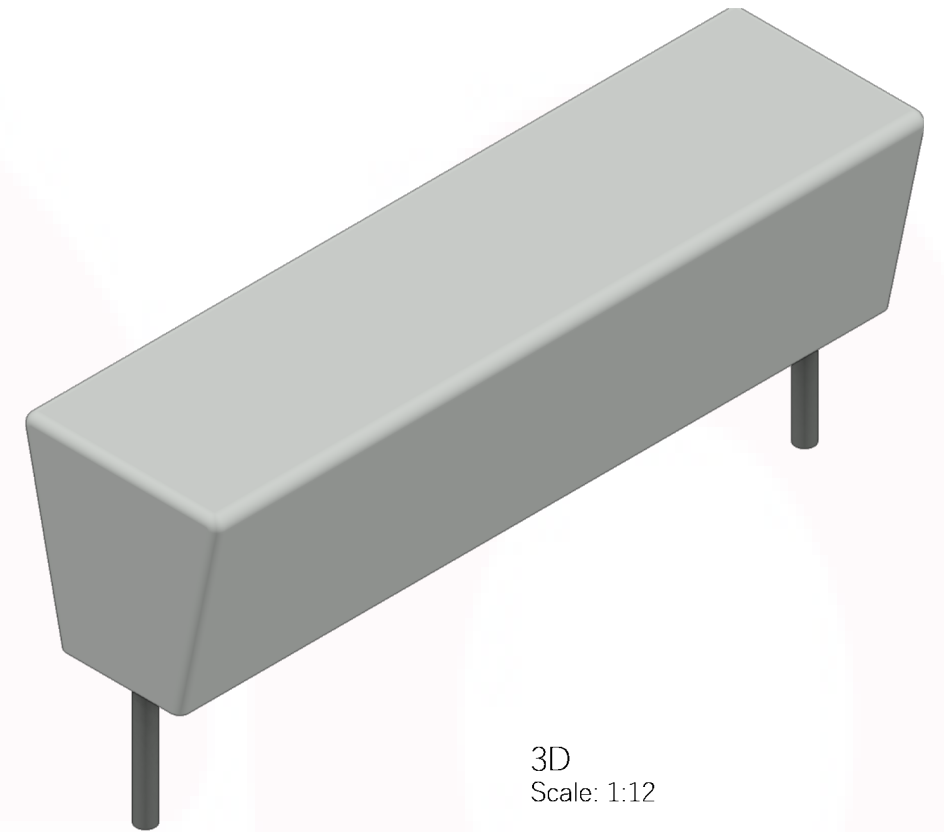
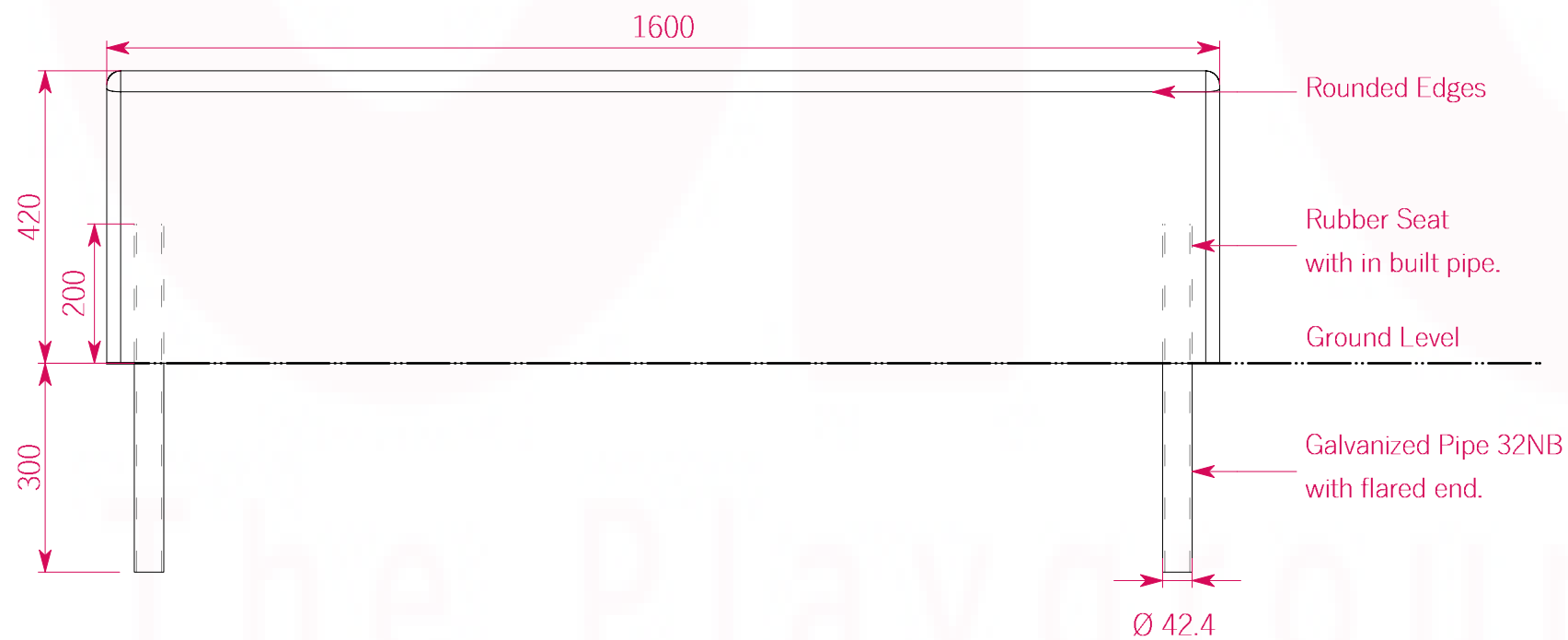


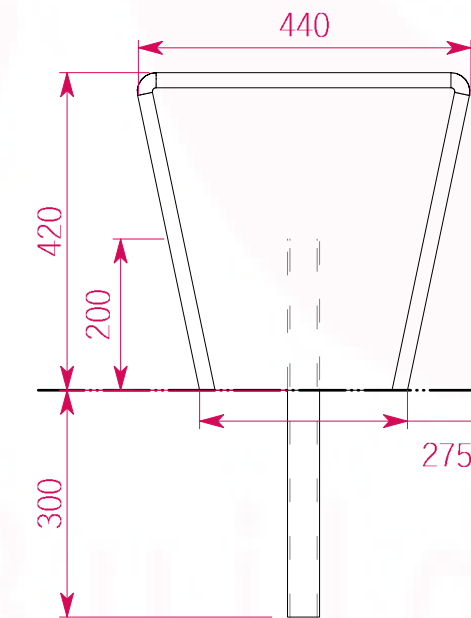
Plan
Scale: 1:10



3D
Scale: 1:12



Elevation
Scale: 1:10



Elevation
Scale: 1:10

- NOTE:
1. All edges to be rounded off.
 2. Galvanized pipe ends to be anti-rust treated before setting into rubber.

MR05

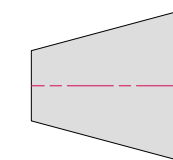
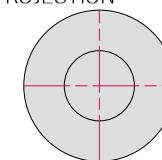


PROJECT : **GENERIC**
PRODUCT : **POUR 'N' PLAY STRAIGHT SEAT MR05**

DRAWN BY : KP HOLAY
CHECKED BY : -
REVISION : 1
DATE : 23.05.24
MADE BY : GREGOR RATMIROFF FINOL
QA BY : GREGOR RATMIROFF FINOL

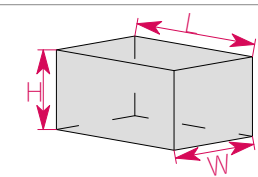
SPECIFICATIONS
DESIGN STANDARD : NZS 5828:2015
DESIGN LIFE : 25
IMPORTANCE LEVEL : 2
WIND ZONE (NZS 1170.2) : W (<55m/s)
LENGTH UNIT : mm

PROJECTION



FREIGHT

L = -
W = -
H = -
kg = -



DEPARTMENT

WORKSHOP

SHEET NUMBER

W01