



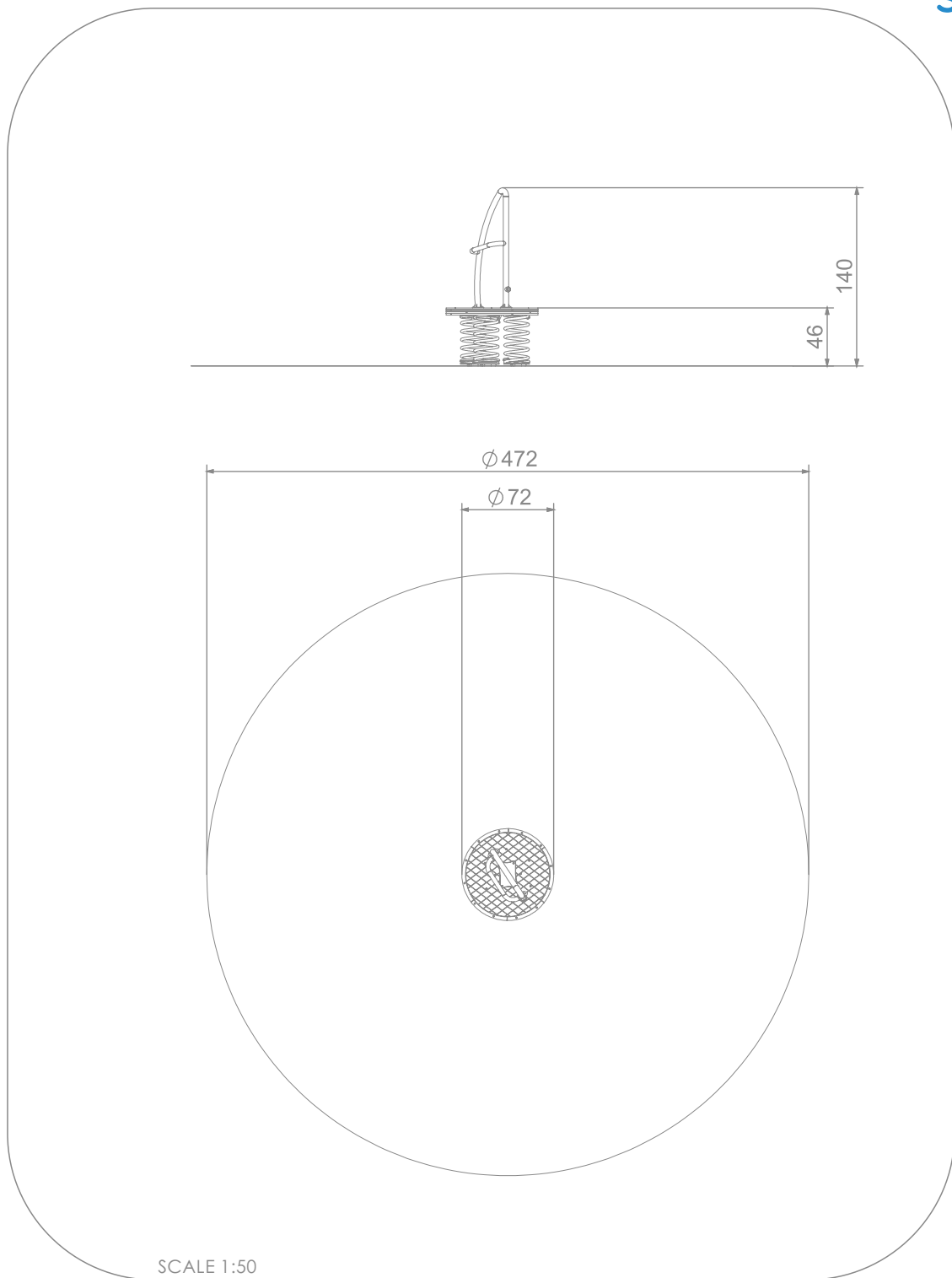
SOCIALIZING



#### INFORMATION ABOUT THE PRODUCT

|                                                                                                                                     |                   |
|-------------------------------------------------------------------------------------------------------------------------------------|-------------------|
| Dimensions:                                                                                                                         | 72 x 72 cm        |
| Safety zone:                                                                                                                        | 472 x 472 cm      |
| Safety zone area                                                                                                                    | 18 m <sup>2</sup> |
| Overall height                                                                                                                      | 140 cm            |
| Free fall height                                                                                                                    | 46 cm             |
| Amount of users                                                                                                                     | 2                 |
| Product complies with EN 1176-1:2017-12                                                                                             | YES               |
| Availability of spare parts                                                                                                         | YES               |
| Age range                                                                                                                           | 3-12              |
| According to PN-EN 1176-1:2017-12 norm, the product requires applying a safety surface according to the product's free fall height. |                   |





SCALE 1:50

### MATERIALS:

|                                                        |                                                               |                                                                              |                              |
|--------------------------------------------------------|---------------------------------------------------------------|------------------------------------------------------------------------------|------------------------------|
| ELEMENTS CONSTRUCTION MADE OF STAINLESS STEEL AISI 304 | PLATES OF THE WALLS AND PLATFORMS MADE OF COLOURFUL 13 MM HPL | PLATES OF THE WALLS MADE OF COLOURFUL TRIPLE LAYERED 15 MM HDPE POLYETHYLENE | SPRING STEEL DIAMETER 200 MM |
|                                                        |                                                               |                                                                              |                              |