

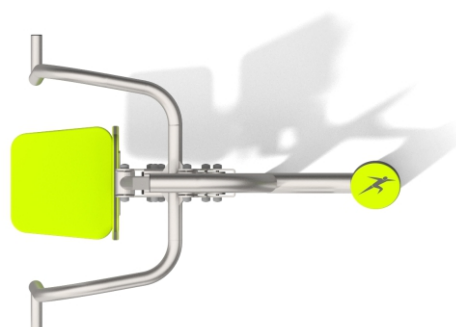


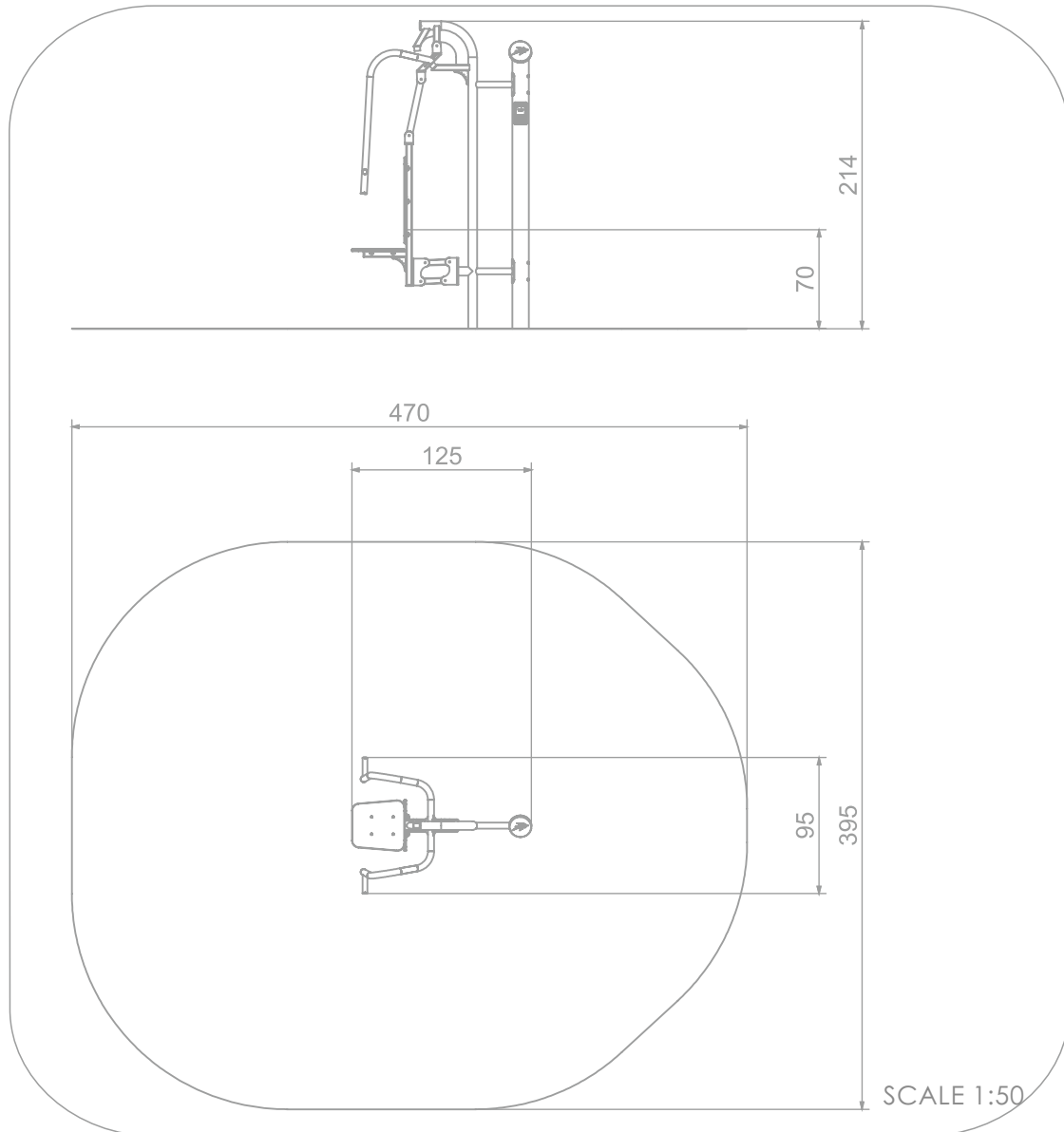
SOCIALIZING



INFORMATION ABOUT THE PRODUCT

| | |
|---|-------------------|
| Dimensions | 125 x 95 cm |
| Safety zone | 470 x 395 cm |
| Safety zone area | 16 m ² |
| Overall height | 214 cm |
| Free fall height | 70 cm |
| Product complies with EN 1176-1:2017-12 | YES |
| Availability of spare parts | YES |





MATERIALS:

| | | |
|---|--|--------------------------------------|
| <p>SOLID CONSTRUCTION MADE OF BLACK STEEL S235JR, CLEANED IN THE SANDBLASTING PROCESS</p> | <p>PLATES MADE OF COLOURFUL TRIPLE LAYERED POLYETHYLENE HDPE 15 MM</p> | <p>SELF-ALIGNING ROLLER BEARINGS</p> |
| | | |
| <p>PLATE MADE OF ANODIZED ALUMINIUM PLACED OF A HANDLE MADE OF POLYAMIDE</p> | <p>BACK SUPPORT AND SEATS MADE OF COLOURFUL TRIPLE LAYERED POLYETHYLENE HDPE 15 MM</p> | <p>SELF-ALIGNING ROLLER BEARINGS</p> |
| | | |

