



Information about the product

Dimensions	ca. 41 x 99 cm
Safety zone	ca. 241 x 359 cm
Safety zone area	ca. 7,8 m ²
Overall height	ca. 80 cm
Free fall height	ca. 60 cm
Amount of users	1
Tallest element	99 cm
Heaviest element	25 kg
Product complies with EN 1176-1:2017-12	Tak
Availability of spare parts	Tak
Age range	3-12

According to EN 1176-1:2017-12 norm, the product requires applying a safety surface according to the product's free fall height.

Functions



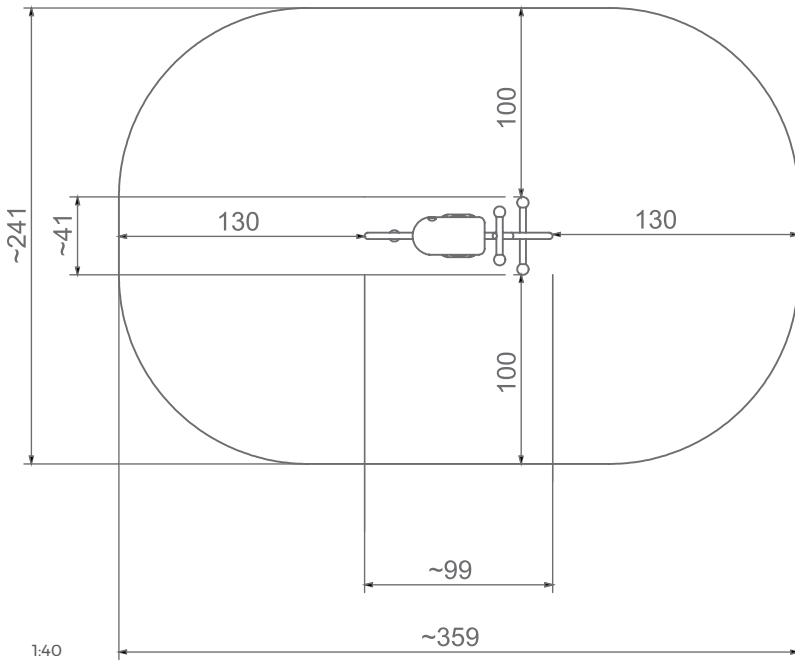
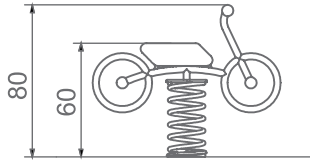
Rocking



Balancing



Socializing



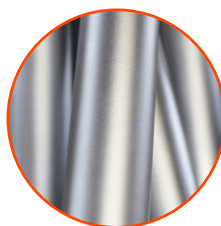
Materials



Natural robinia wood



Springers' springs made of spring steel



Elements made of stainless steel AISI304 totally resistant to various weather conditions.



Anti-slip 15 mm platform plate