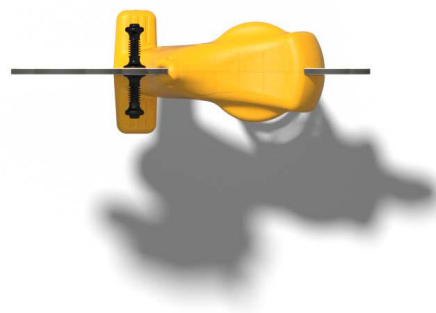
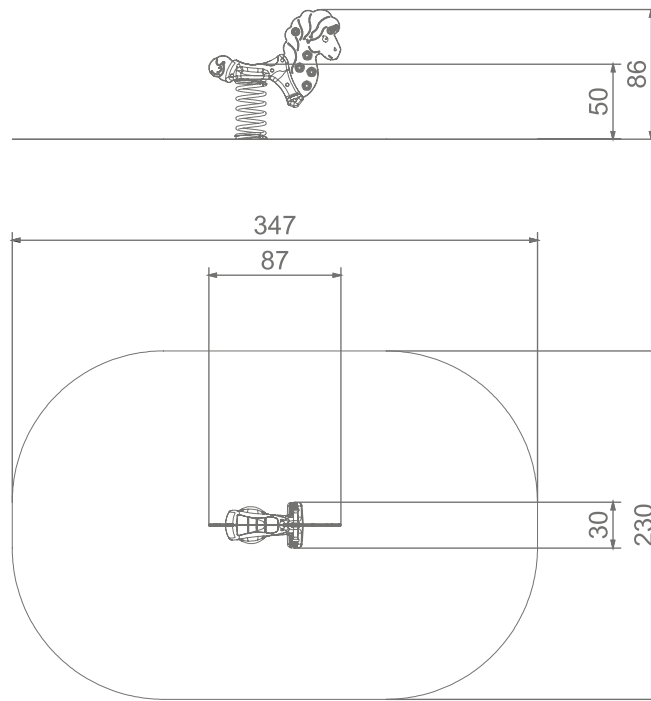




INFORMATION ABOUT THE PRODUCT

| | |
|---|---------------------|
| Dimensions | 87 x 30 cm |
| Safety zone | 347 x 230 cm |
| Safety zone area | 7,14 m ² |
| Overall height | 86 cm |
| Free fall height | 50 cm |
| Amount of users | 1 |
| Product complies with PN-EN 1176-1:2017-12 | YES |
| Availability of spare parts | YES |
| Age range | 1-12 |
| According to PN-EN 1176-1:2017-12 norm, the product requires applying a safety surface according to the product's free fall height. | |





SCALE 1:50

MATERIALS:

HANDHOLD MADE OF INJECTION MOLDED POLYAMIDE



CONNECTING ELEMENTS LIKE SCREWS, NUTS, WASHERS MADE OF STAINLESS STEEL



PLATES OF THE WALLS MADE OF COLOURFUL TRIPLE LAYERED 1.5 MM HDPE POLYETHYLENE



SPRINGERS' SPRINGS MADE OF SPRING STEEL

