

7803

FITNESS

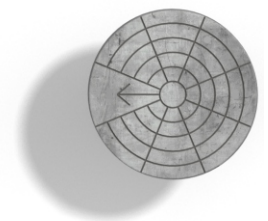


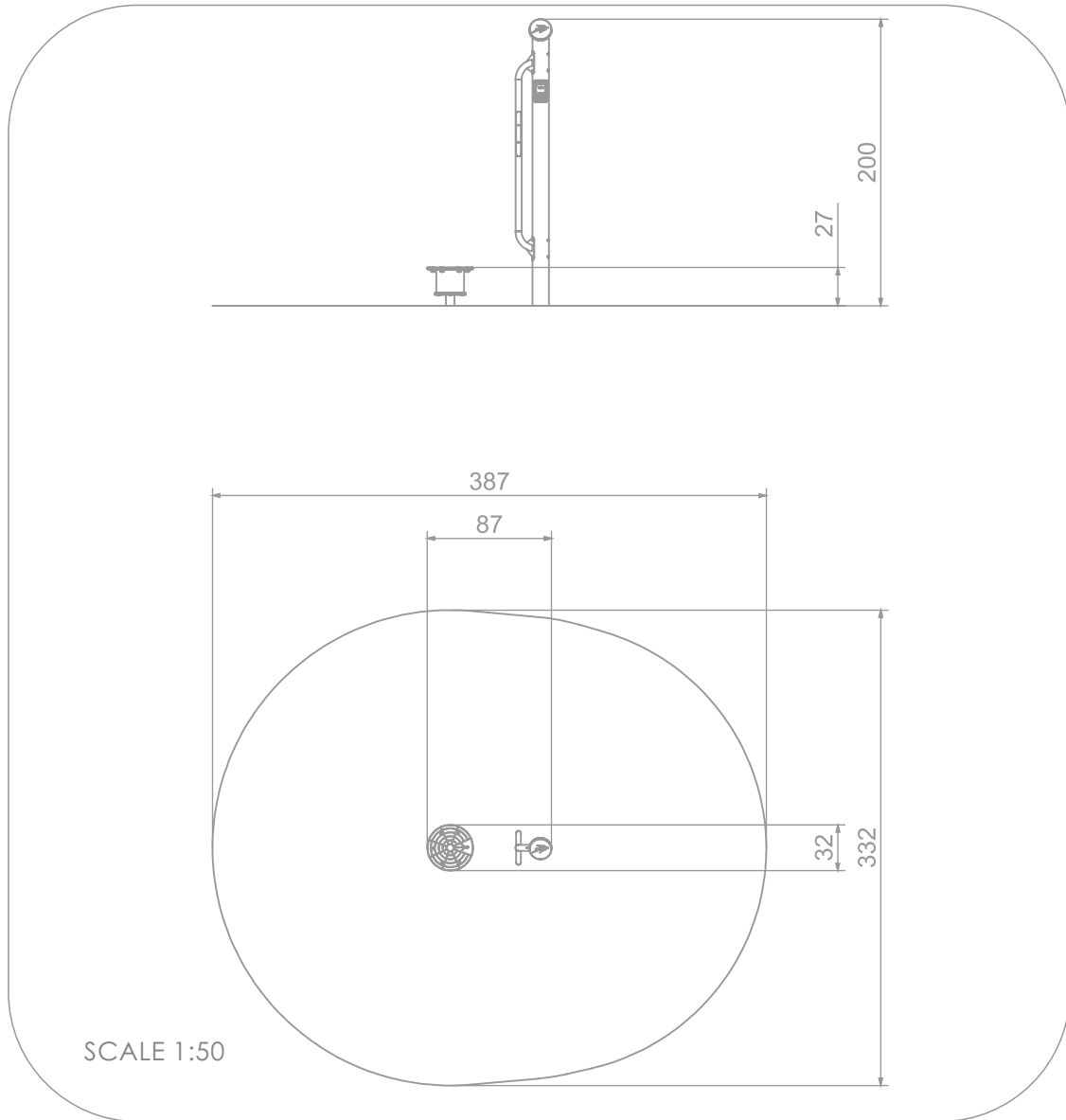
SOCIALIZING



INFORMATION ABOUT THE PRODUCT

Dimensions	87 x 32 cm
Safety zone	387 x 332 cm
Safety zone area	11 m ²
Overall height	200 cm
Free fall height	27 cm
Product complies with PN-EN 16630:2015	YES
Availability of spare parts	YES




MATERIALS:

SOLID CONSTRUCTION
MADE OF BLACK STEEL
S235JR, CLEANED IN THE
SANDBLASTING PROCESS

ANTI-SLIP PLATE MADE OF
13 MM HPL

PLATES MADE OF
COLOURFUL TRIPLE LAYERED
POLYETHYLENE HDPE 15 MM

PLATE MADE OF ANODIZED
ALUMINIUM PLACED OF A
HANDLE MADE OF
POLYAMIDE

