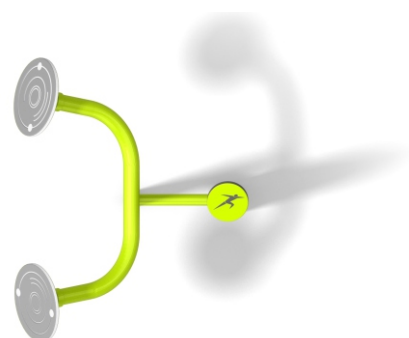
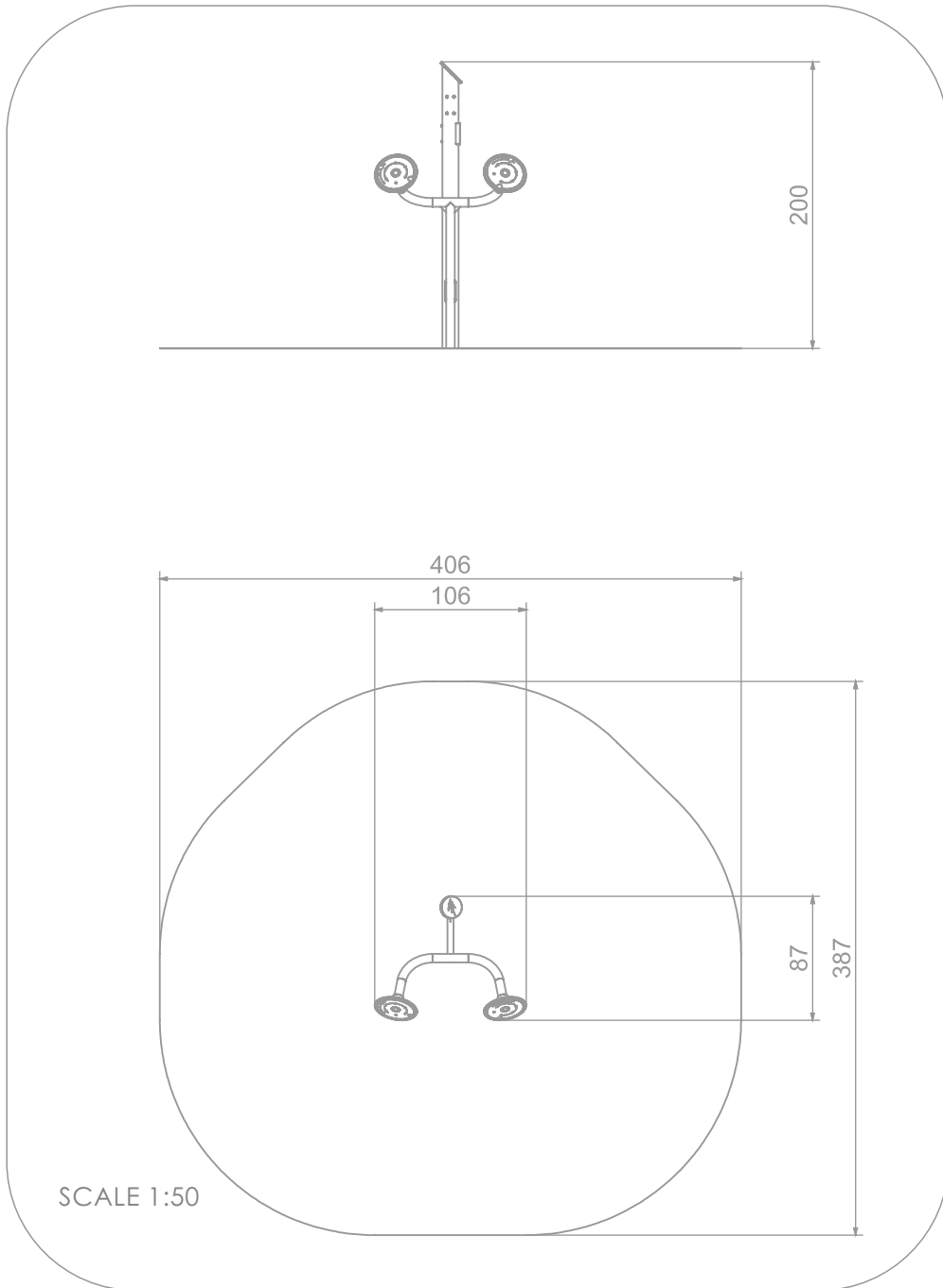




## INFORMATION ABOUT THE PRODUCT

Dimensions	87 x 106 cm
Safety zone	387 x 406 cm
Safety zone area	13 m <sup>2</sup>
Overall height	200 cm
Free fall height	
Product complies with PN-EN 16630:2015	YES
Availability of spare parts	YES




**MATERIALS:**

SOLID CONSTRUCTION MADE OF BLACK STEEL S235JR, CLEANED IN THE SANDBLASTING PROCESS

PLATES MADE OF COLOURFUL TRIPLE LAYERED POLYETHYLENE HDPE 15 MM

PLATE MADE OF ANODIZED ALUMINIUM PLACED OF A HANDLE MADE OF POLYAMIDE

