

7815-INOX

FITNESS

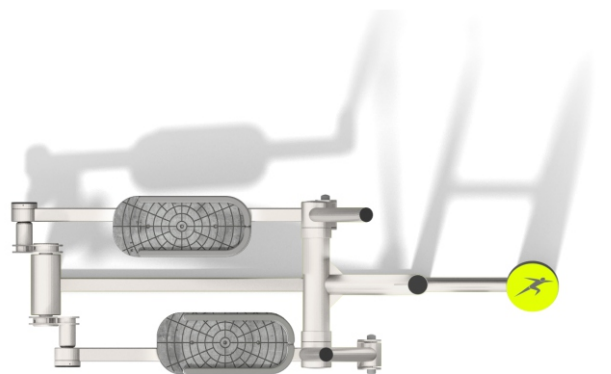


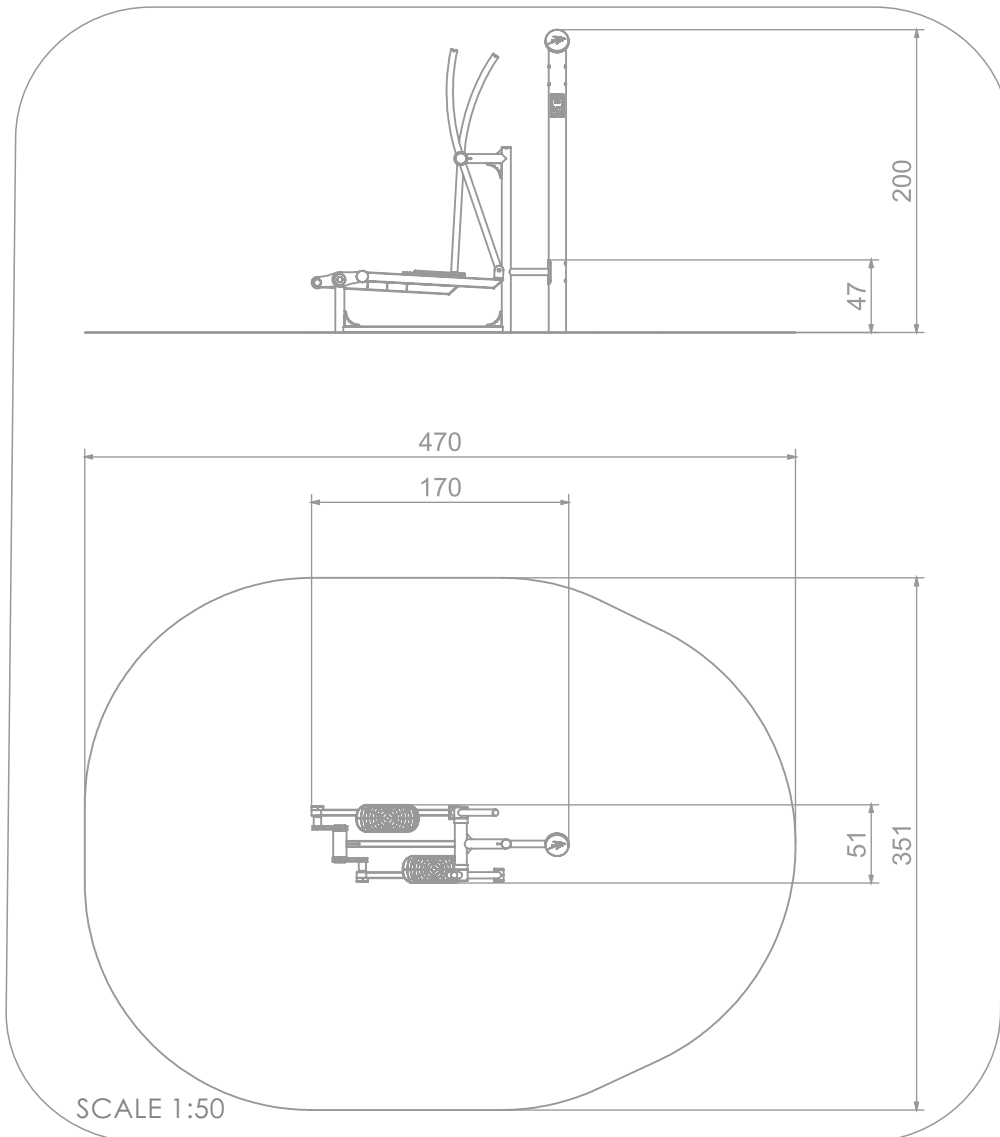
SOCIALIZING



INFORMATION ABOUT THE PRODUCT

Dimensions	51 x 170 cm
Safety zone	470 x 351 cm
Safety zone area	14 m ²
Overall height	200 cm
Free fall height	47 cm
Product complies with PN-EN 16630:2015	YES
Availability of spare parts	YES




MATERIALS:

SOLID CONSTRUCTION MADE OF STAINLESS STEEL AISI304. CLEANED IN THE SANDBLASTING PROCESS



PLATES MADE OF COLOURFUL TRIPLE LAYERED POLYETHYLENE HDPE 15 MM



ANTI-SLIP PLATE MADE OF 13 MM HPL



SELF-ALIGNING ROLLER BEARINGS



PLATE MADE OF ANODIZED ALUMINIUM PLACED OF A HANDLE MADE OF POLYAMIDE

