

7818-INOX

FITNESS

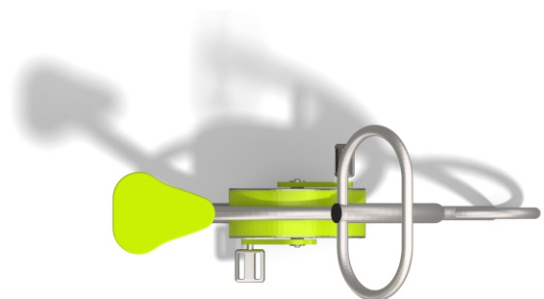


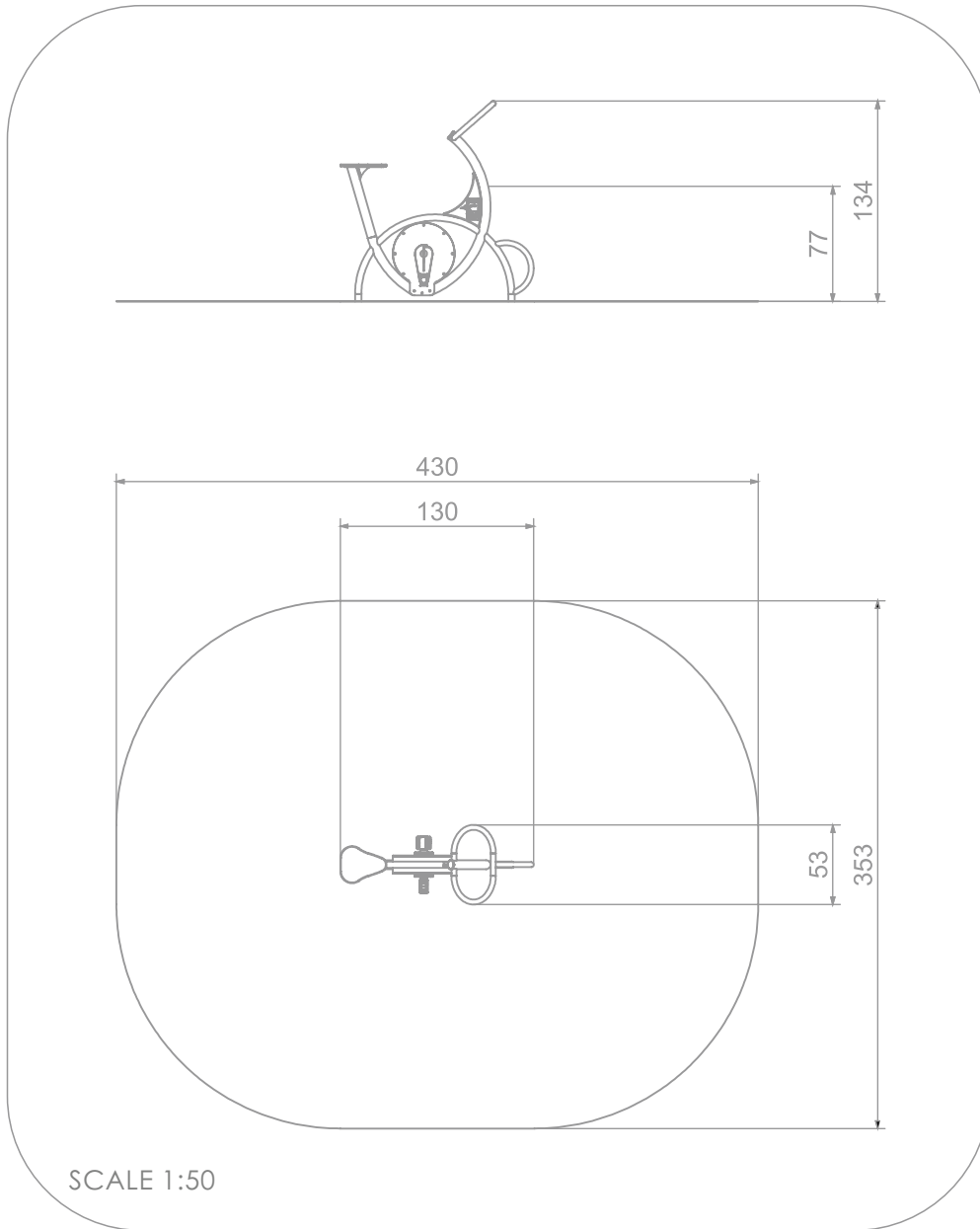
SOCIALIZING



INFORMATION ABOUT THE PRODUCT

Dimensions	53 x 130 cm
Safety zone	353 x 430 cm
Safety zone area	14 m ²
Overall height	134 cm
Free fall height	77 cm
Product complies with PN-EN 16630:2015	YES
Availability of spare parts	YES




MATERIALS:

SOLID CONSTRUCTION MADE OF STAINLESS STEEL AISI304, CLEANED IN THE SANDBLASTING PROCESS

AIR BRAKE, SIDE PANELS AND PEDALS MADE OF STAINLESS STEEL

PLATE MADE OF ANODIZED ALUMINIUM PLACED OF A HANDLE MADE OF POLYAMIDE

BACK SUPPORT AND SEATS MADE OF COLOURFUL TRIPLE LAYERED POLYETHYLENE HDPE 15 MM

